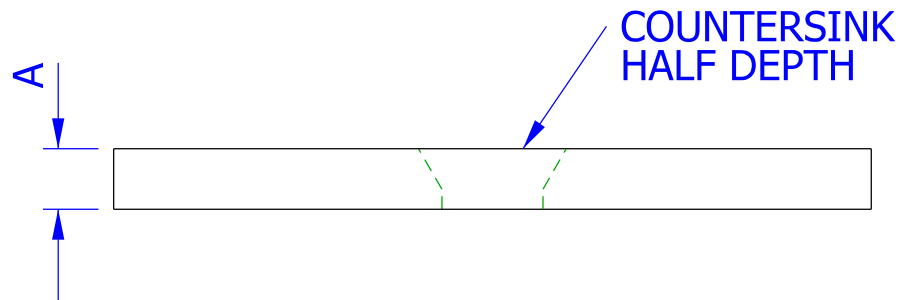
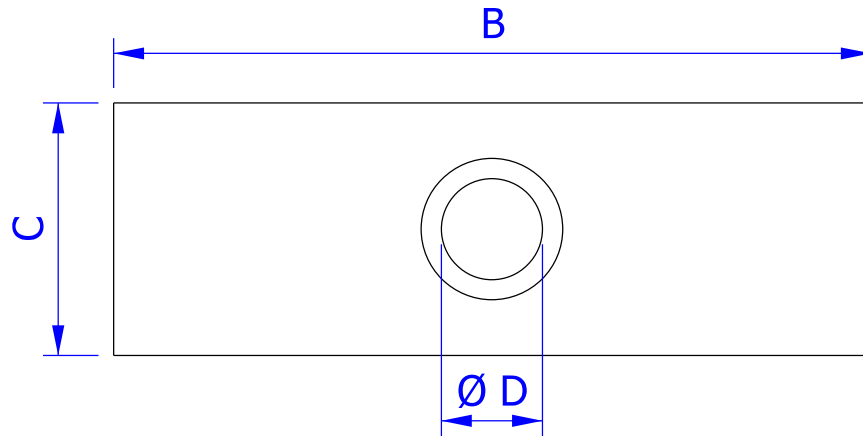




Causeway Steel Products Ltd

DATASHEET No. S507A



A =

B =

C =

D =

QTY.

MATERIAL

THREADED PLATE