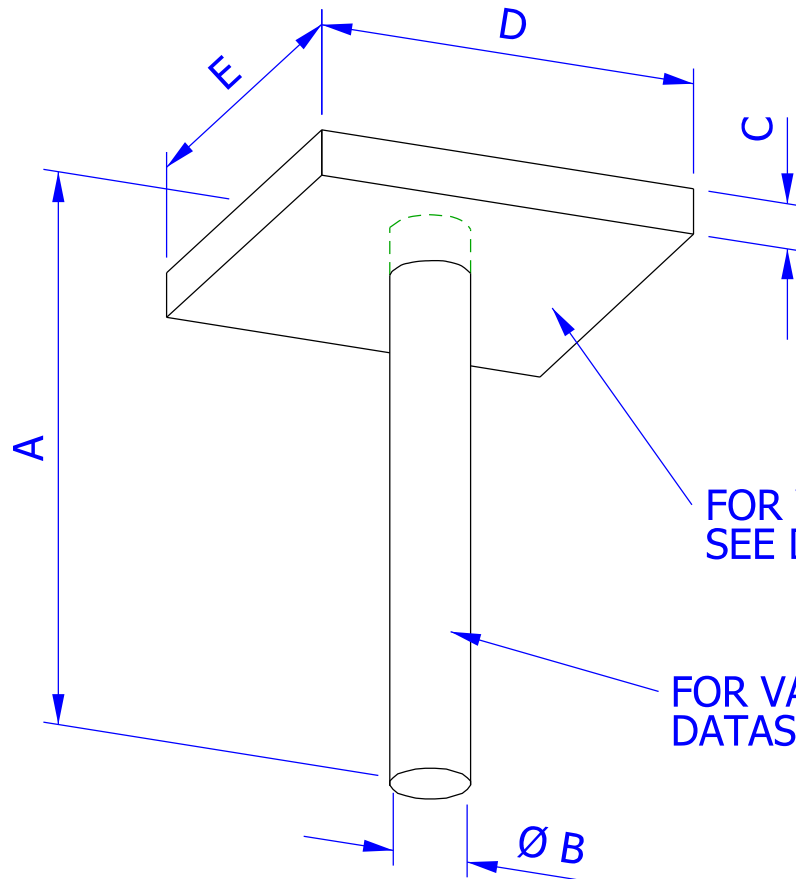




Causeway Steel Products Ltd

DATASHEET No. S502A



FOR VARIOUS PLATES  
SEE DATASHEET No.S507

FOR VARIOUS STUDS SEE  
DATASHEET No. S505

A =

B =

C =

D =

E =

QTY.

MATERIAL

# PLAIN PLATEHEAD STUD GA