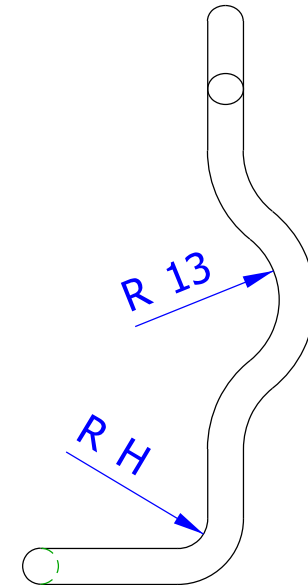
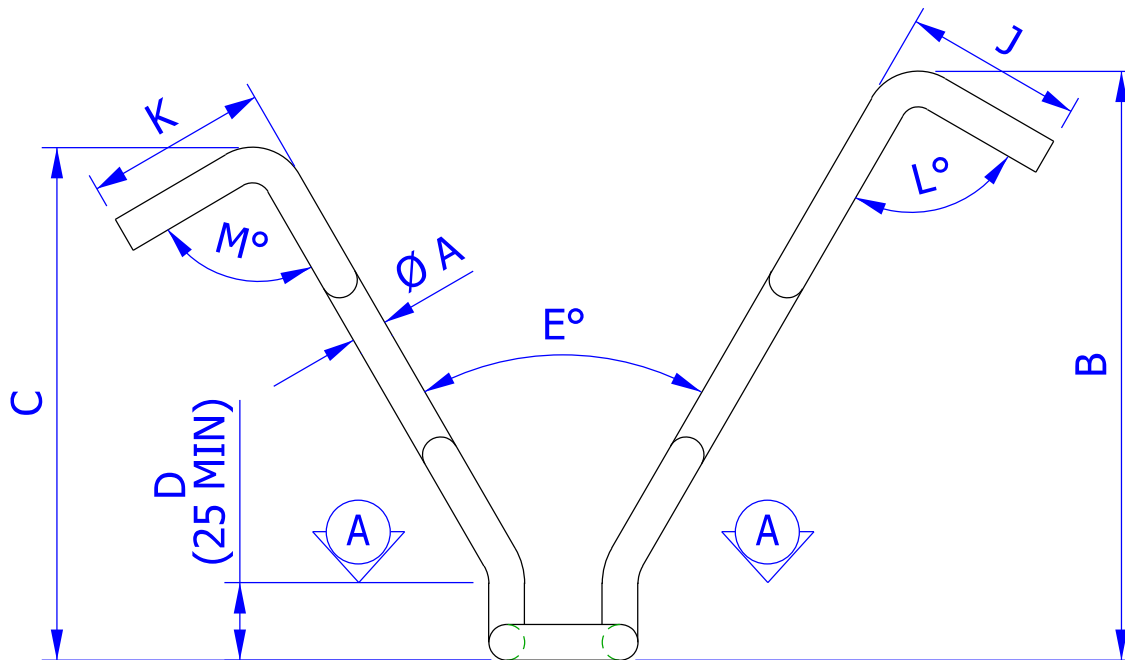


SECTION A - A

IF 'B' OR 'C' IS LESS THAN 63mm, NO CRIMP

A =		G =	
B =		H =	
C =		J =	
D =		K =	
E =		L =	
F =		M =	
QTY.			
MATERIAL			



# 'U' BASE 'V' ANCHOR WITH HORN