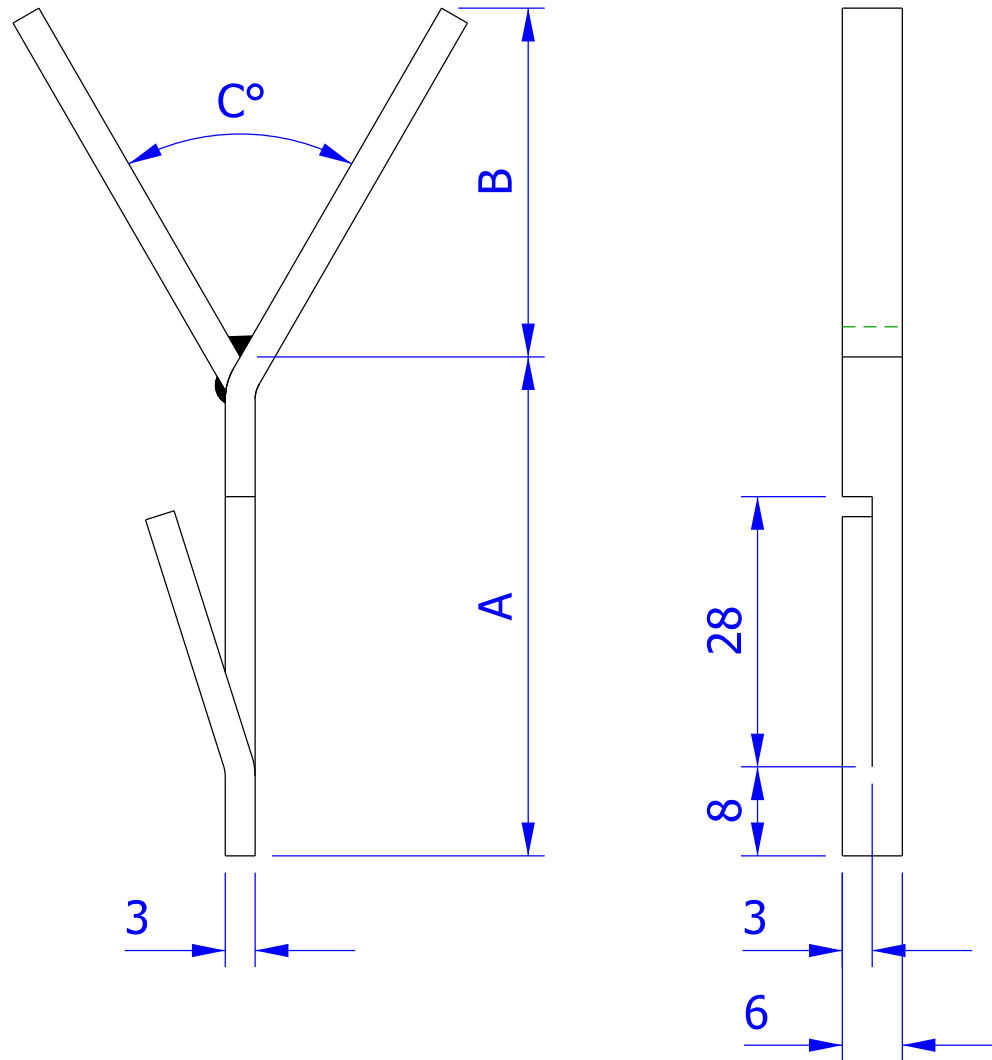




Causeway Steel Products Ltd

DATASHEET No. S225A



A =	
B =	
C =	
QTY.	
MATERIAL	

# FISH TAIL ANCHOR