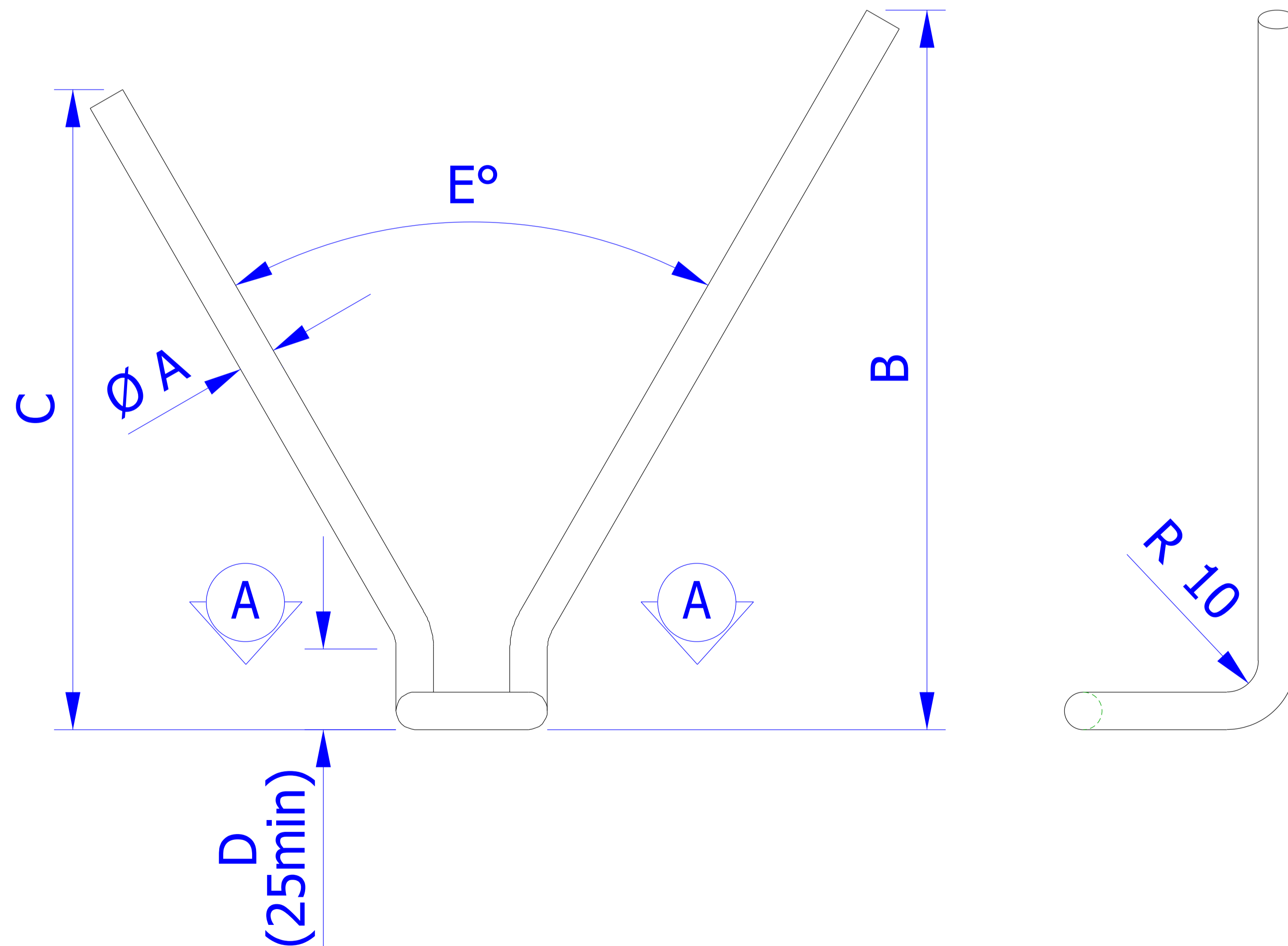


SECTION AA



A =	
B =	
C =	
D =	
E =	
F =	
G =	
QTY.	
MATERIAL	

'U' BASE 'V' ANCHOR WITH STEM