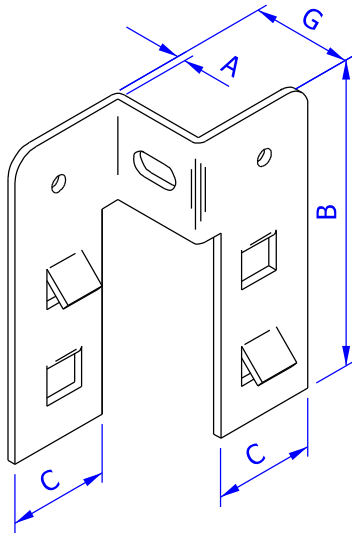


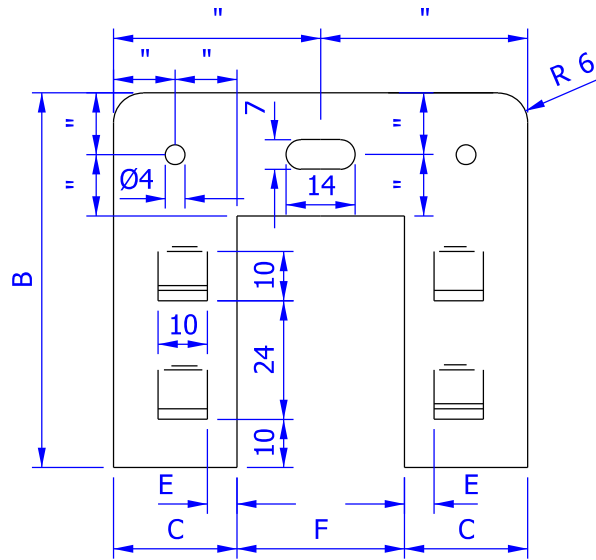
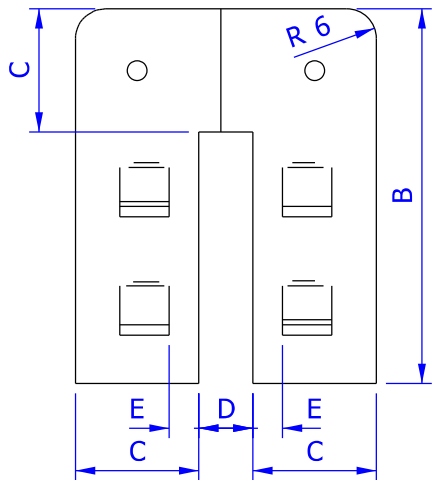
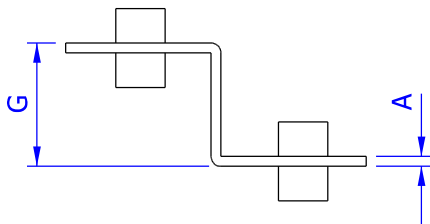


Causeway Steel Products Ltd

DATASHEET No. H224A



| | |
|----------|--|
| A = | |
| B = | |
| C = | |
| D = | |
| E = | |
| F = | |
| G = | |
| QTY. | |
| MATERIAL | |



SQUARE LANCE OFFSET EDGE TAB