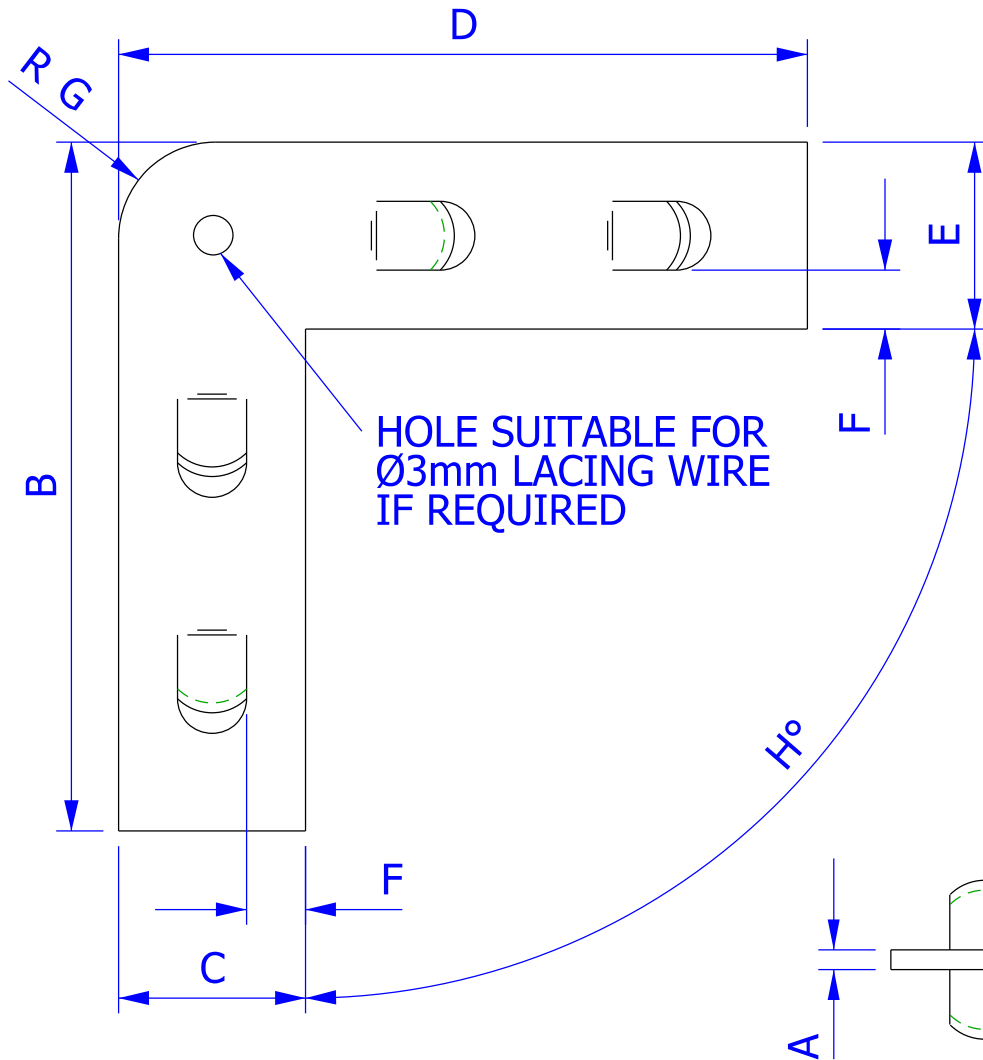




Causeway Steel Products Ltd

DATASHEET No. H206A



A =	
B =	
C =	
D =	
E =	
F =	
G =	
H =	
QTY.	
MATERIAL	

FIXED CORNER TAB