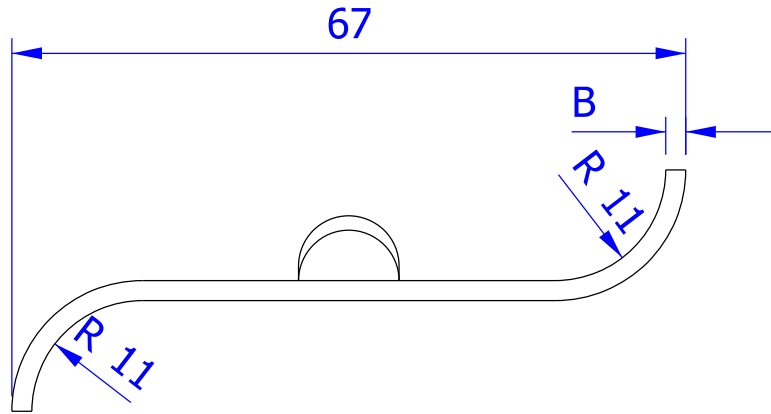




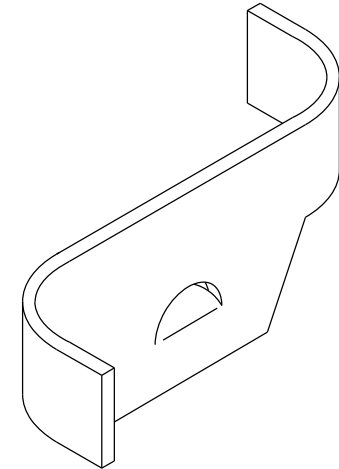
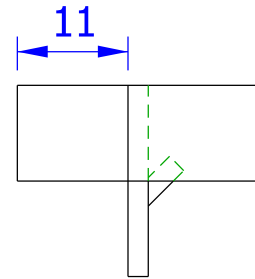
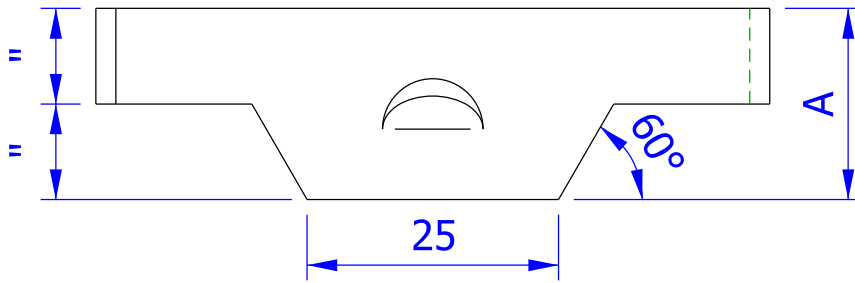
Causeway Steel Products Ltd

DATASHEET No. H127C

PROJECTION	SYMBOL	
3RD ANGLE		



A =	
B =	
QTY.	
MATERIAL	



# MINI S-ANCHOR