



Causeway Steel Products Ltd

DATASHEET No. H120E

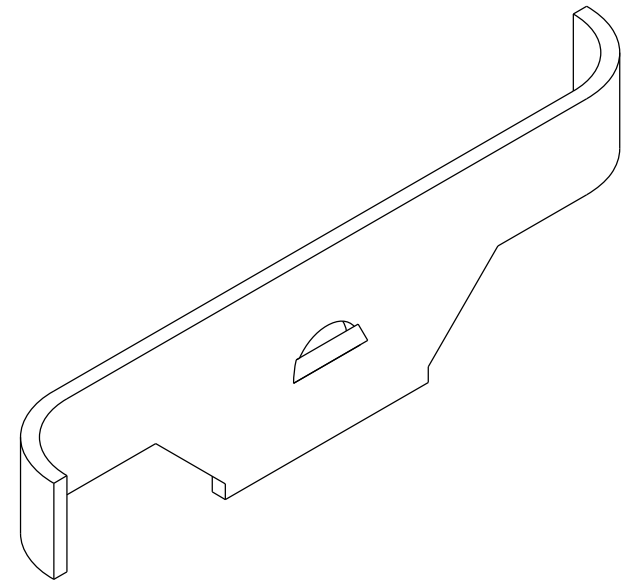
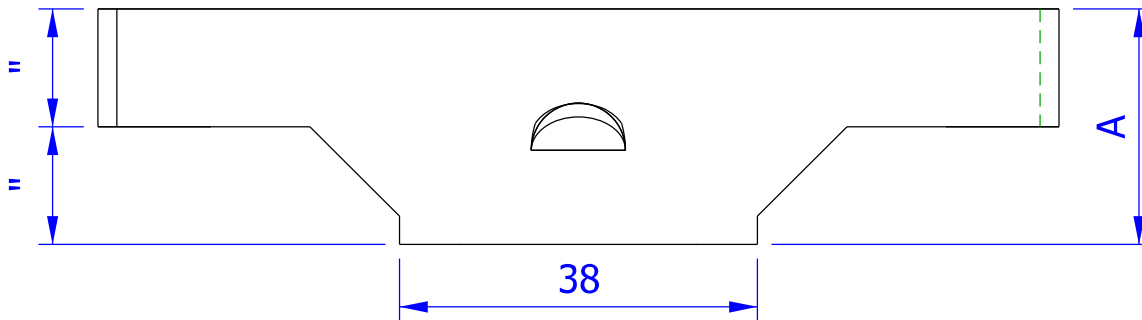
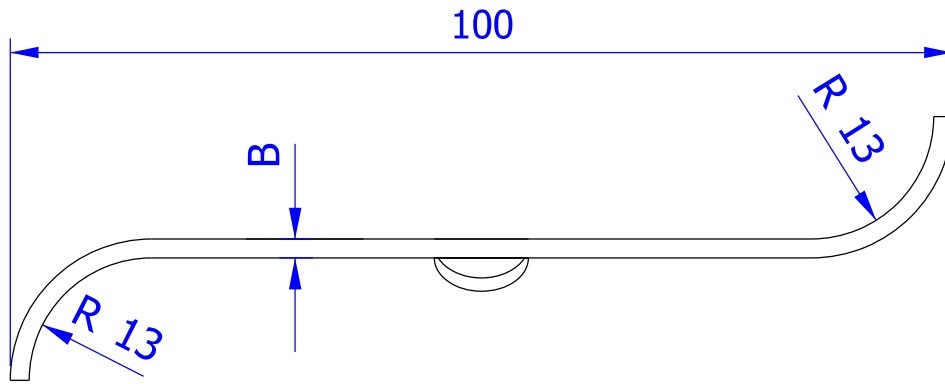


A =

B =

QTY.

MATERIAL



S-BAR