



Causeway Steel Products Ltd

DATASHEET No. H102A

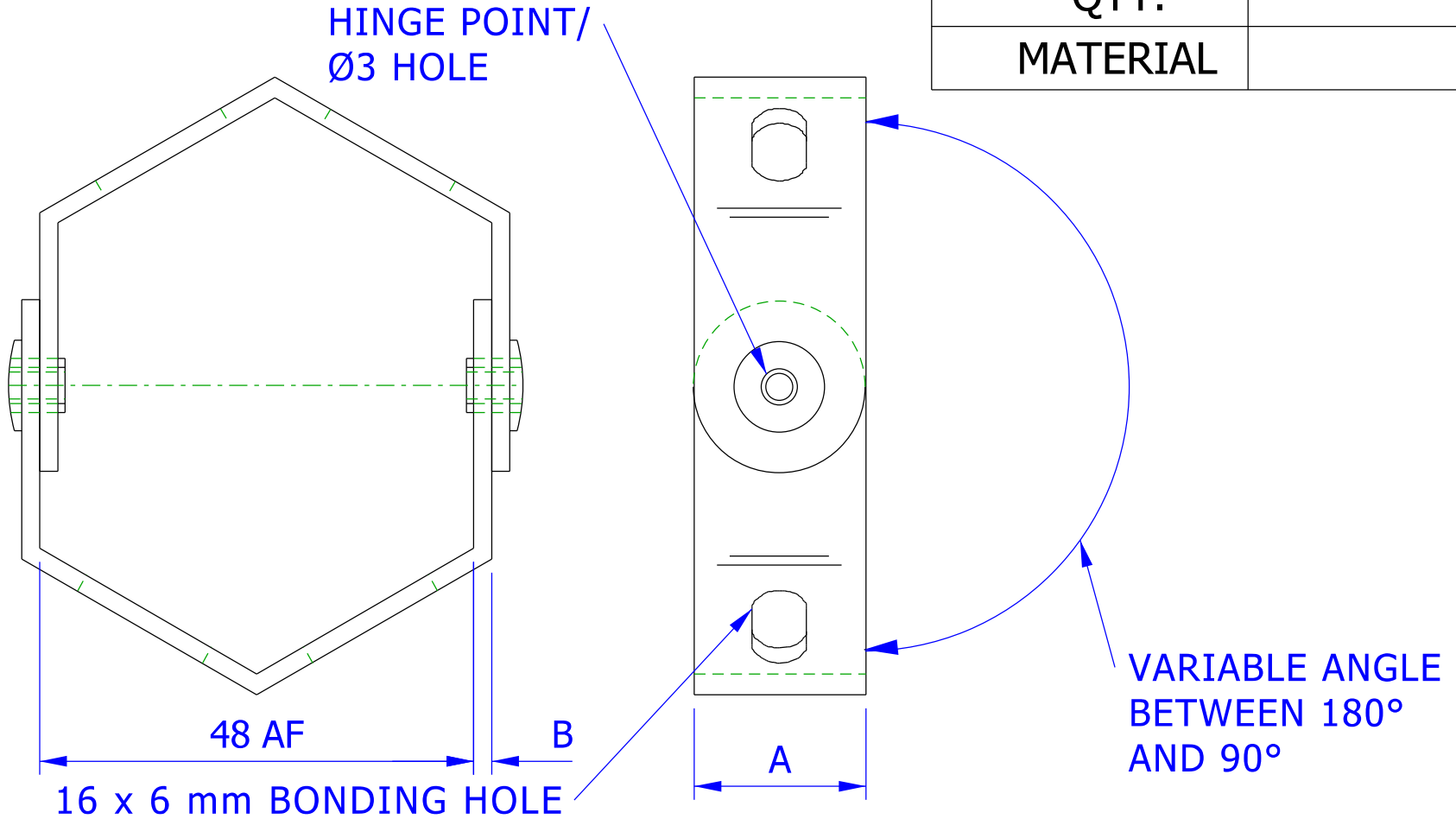


A =

B =

QTY.

MATERIAL



# ADJUSTABLE HEXCELL