



Causeway Steel Products Ltd

DATASHEET No. H101J

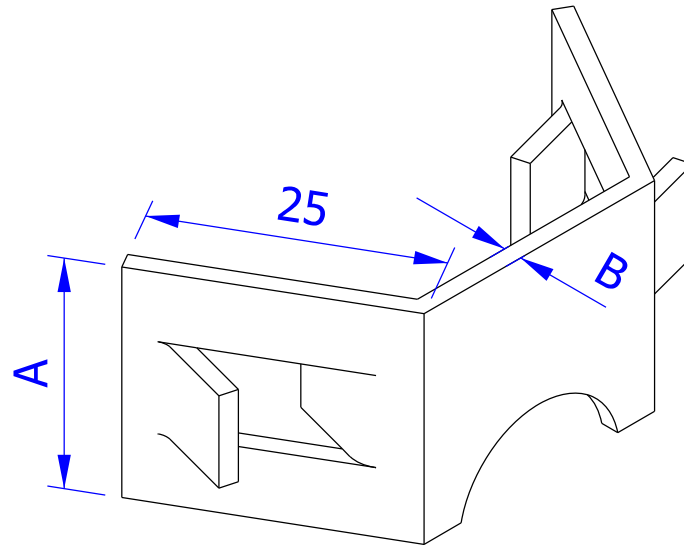


A =

B =

QTY.

MATERIAL



**HALF HEXCELL**