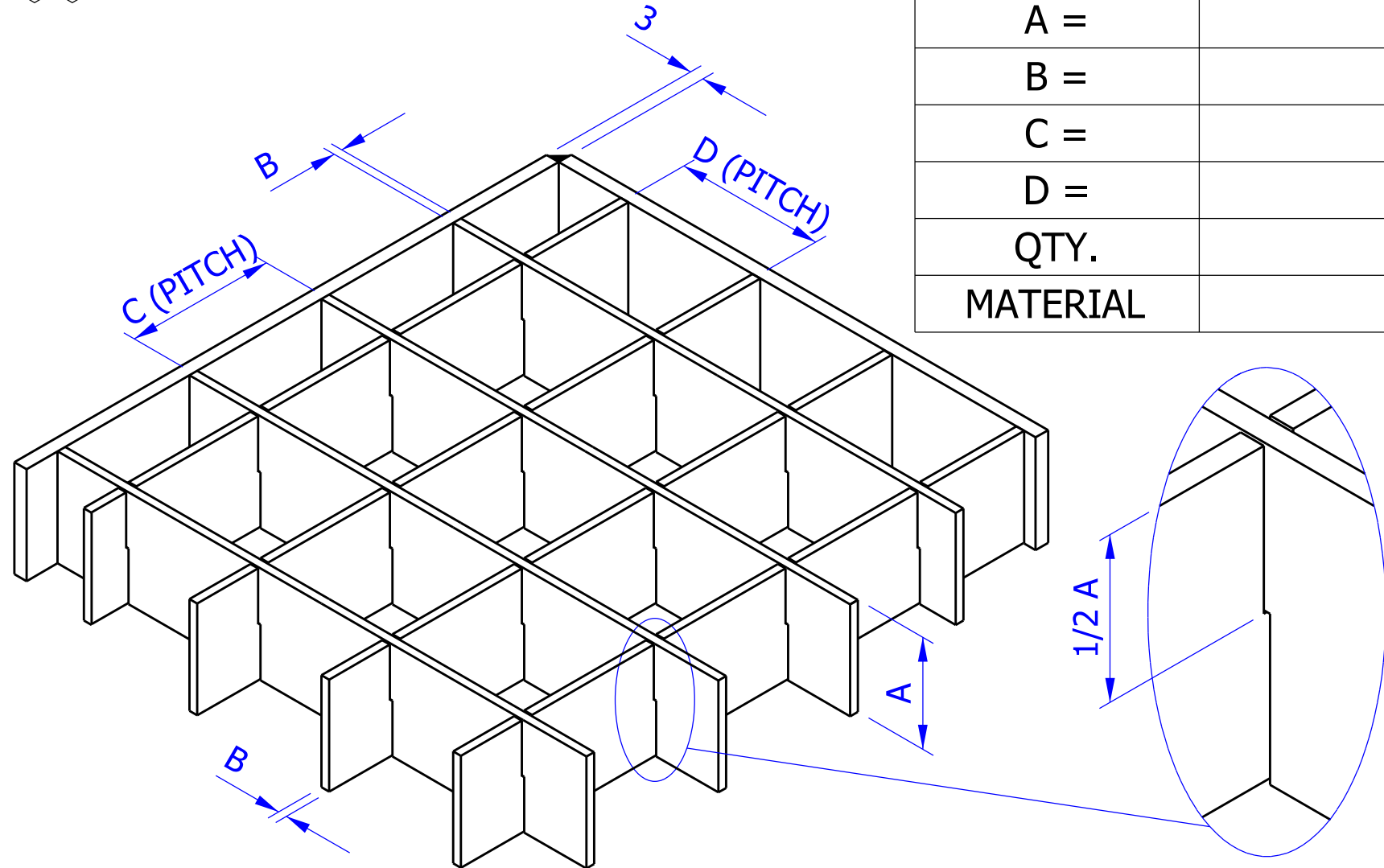




Causeway Steel Products Ltd

DATASHEET No. F201B



A =	
B =	
C =	
D =	
QTY.	
MATERIAL	

FULL INTERLOCK STABIL FLOORING